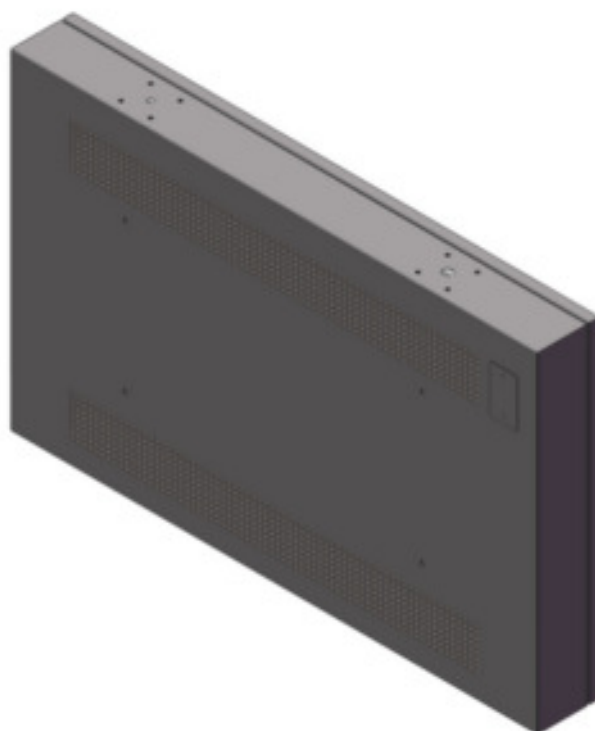


55" SINGLE SIDED INDOOR LCD



Screen Size	55"
Protection class	IP54 (<i>IP65 optional</i>)
Continuous Operation	24/7
Aspect Ratio	16:9
Brightness	700 nits
View angle	178/178
Power	110-240 V, 50Hz
Working Temperature	+0° + 40°
Network	Wi-Fi, LAN, 3G, 4G

Product	Single-Sided Indoor 55" Signage Display
Model	DL-SSI49
Input	230VAC/50Hz
Power typ	180W
Brightness	700 cd/m2
Contr(dyn)	1300:1
Glass	Ultra-Clear Tempered HQ Glass
Panel	LG or BOE High Brightness LCD
View angle	178/178
Resp. time	6ms
Interface	RJ45
Temperature	+0° to +40 C°
IP	54 (65 optional)
IK	08
Certification	EN55032, EN55035, EN62368, EN50121-4, EN60529, EN62262, RoHS
Legacy standards covered:	EN55022, EN55013, EN55103, EN55024, EN55020, EN60950

AMPRON

WWW.AMPRON.EU